

Unmanned Transport Helicopters



Grey Whale G1



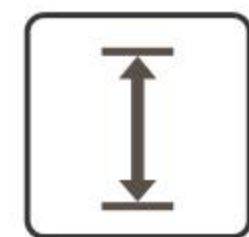
15KG
Payload



30KM
BVLOS Transmission



40KM
Flight Distance



6000M
Max Altitude



Level 7
Wind Resistance



Parachute
Emergency

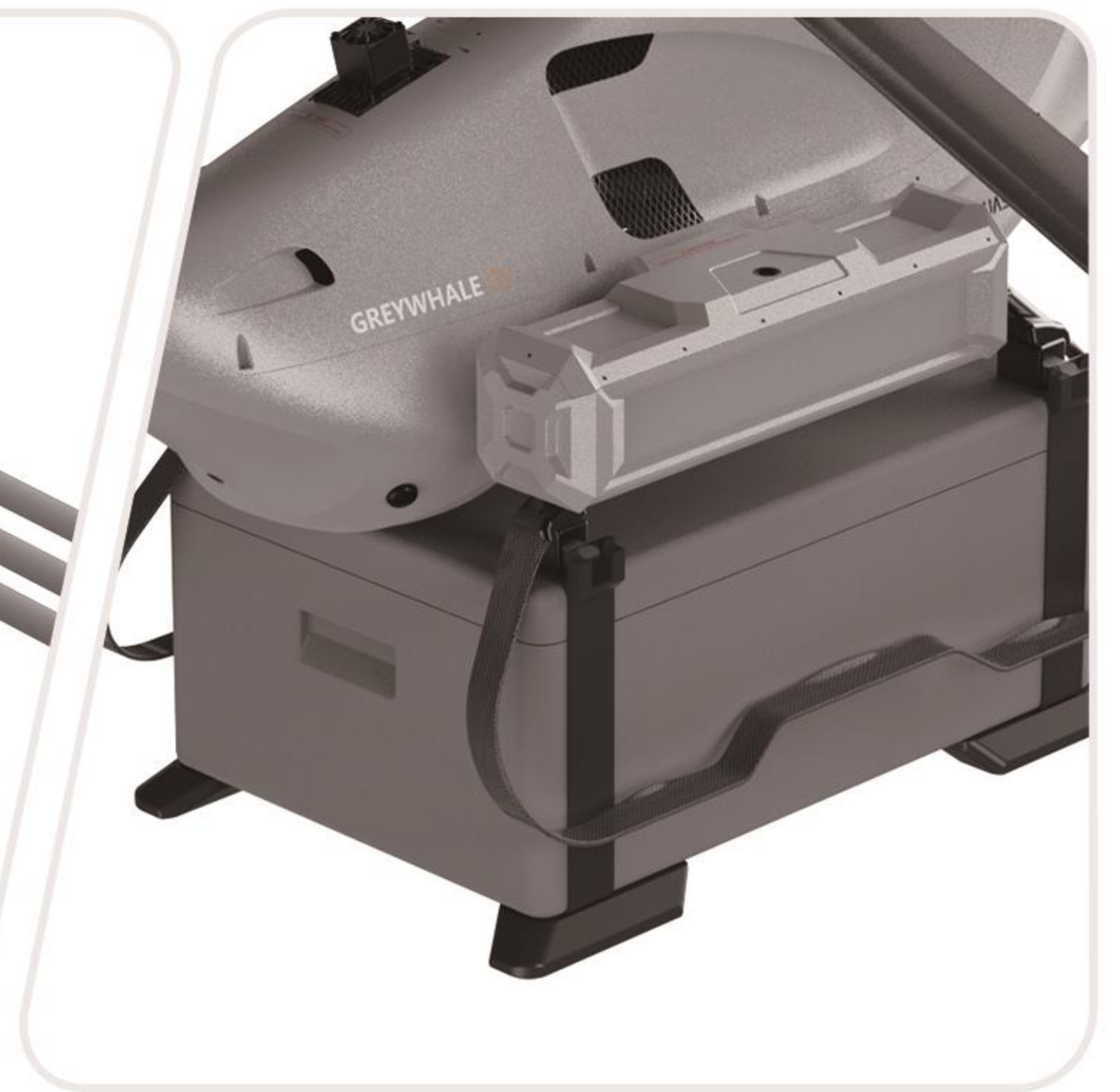
Dimensions	Without rotor blade: 1997*523*639mm	Disassembled	Fuselage: 1106*490*639mm Tail Boom: 932*130*450mm
Main Rotor Diameter	2275mm	Communication Range	30KM
Max Take-off Weight	45kg	Communication Frequency	1430-1444MHz
Max Payload	15kg	Wind Resistance	Level 7
UAV Weight	30kg (with battery)	Max Service Ceiling	6000m
Battery Weight	6.6kg	Hover Accuracy	Vertical: $\pm 2.0m$ (GNSS) $\pm 0.1m$ (RTK) Horizontal: $\pm 1.5m$ (GNSS) $\pm 0.1m$ (RTK)
Cruising Speed	50-75km/h	Max Climb/Descend Speed	5m/s
Max Speed	90km/h	Operating Temperature	-10°C~+55°C
Endurance	65min	Storage Temperature	-20°C~+60°C
Flight Range	60km	Parachute	Support
Recommended Cargo Compartment Dimensions	External Dimensions: 600*400*253mm Internal Dimensions: 540*340*250mm		

Certified for Civil UAV Airworthiness

Ensuring operational safety and reliability



Robust performance, High-efficiency delivery



Three-Blades Configuration

Boost lift redundancy for improving stability, payload, and wind resistance.

Modular and Foldable

Dismantle modular fuselage and fold landing gear

Cargo containment and Winch

Support dual transport modes for versatile operations

*Open to third-party interfaces for seamless integration

Industrial Applications

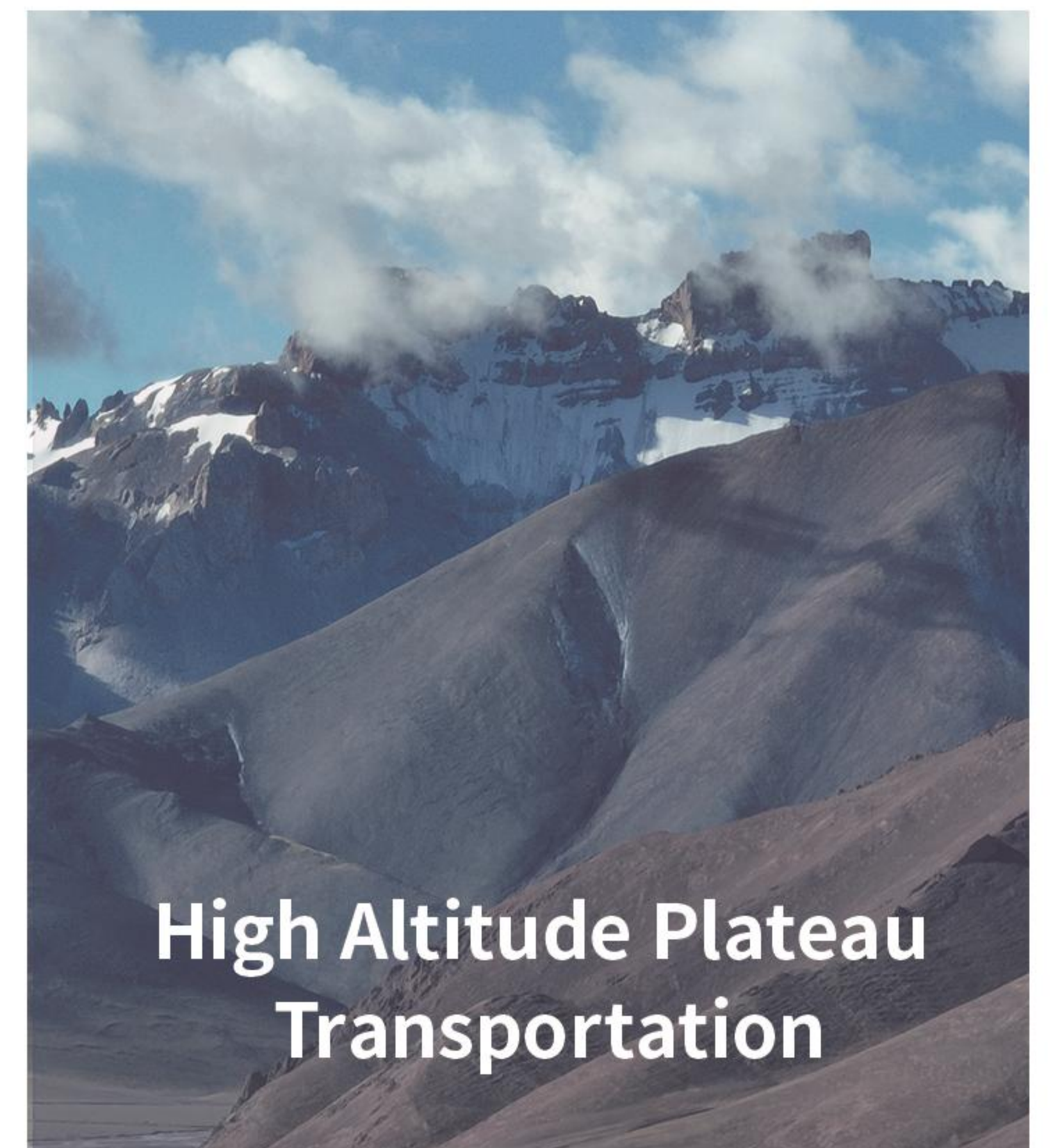
Make G1 Your Best Work Partner



Island Transportation



Mountainous Transportation



High Altitude Plateau Transportation